

Please read these operating instructions carefully and note the information given. Use these operating instructions to familiarize yourself with the product, the proper use and the safety instructions.

### Correct use:

The Hose Reel is provided with auto rewind system and intended for use in the private home and workshop or repairshop etc.

### Parts list:

No	Description	Quantity	Picture
1	Hose reel	1	
2	Metal bracket	2	
3	6*12mm Screw	1	
4	6*60mm bolts	4	

### Installation:

The reel could be installed horizontally, vertically on the cement pillar, cement wall or steel structure.

1. Take out the unit and accessories from the box.
2. Choose a suitable place near the power supply.
3. Take the mounting bracket as a template to mark the position for screws and drill four holes on the wall. Fig.1



Fig.1



Fig.2

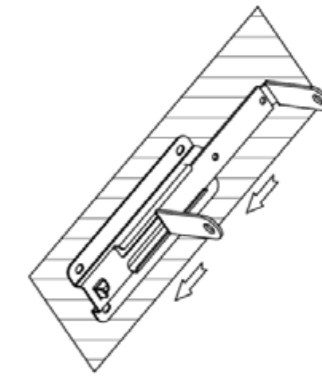


Fig.3

4. Fix the bracket by four 6\*60mm screws accordingly,
5. Slip the reel to the mounting bracket, then fasten it by 1\*6\*12mm screw. See Fig.3

**Note: 1. The reel could be installed to a wall/ post or ceiling.**

**2. It is suggested to mount the reel approximately 1 meter above the ground.**

### Operation

Connect the leader cable to the power supply,

#### Unwind

- Pull out cable to desired length and stop after "KAKA" sound is heard.

#### Roll up the cable

- Release the lock by one more pull and let the hose back.
- Please always hold the end of the cable when it is going back to the hose box.
- Turn off the power.

### Storage

#### Cleaning

The hose box is maintenance-free and must not be cleaned internally with water.

#### Maintenance

- When not in use, please turn off the power source,
- The reel cannot be used to transmit any chemical and substance.
- When not in use for an extended period of time it is recommended to be stored in a cool dry place.

### Troubleshooting

- During the process of retracting / pulling out the cable. If the cable is locked, please pull out more cable again, then retry the work.